



## Spring Loaded Net Rod

### Fitting Instructions

Before fitting your rod, please take care in reading these instructions and checking the contents of the pack.

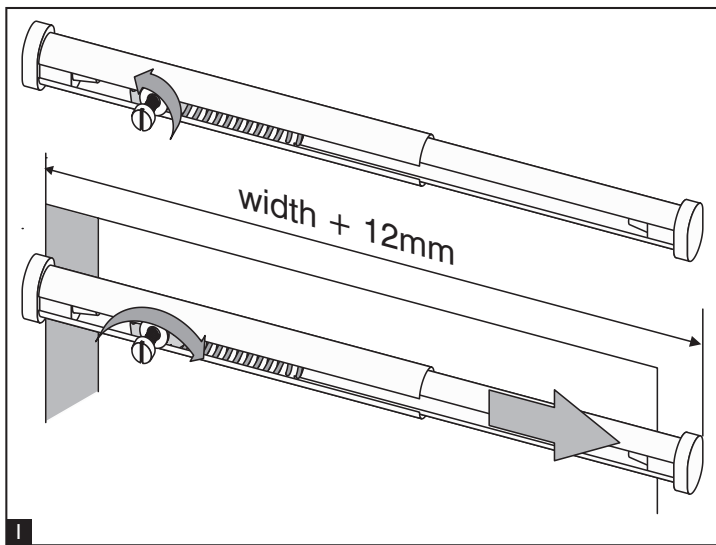
Should any component be missing, please call the Customer Care Department on 0800 515493.

Tools required: Steel Tape measure, Flat Screwdriver.

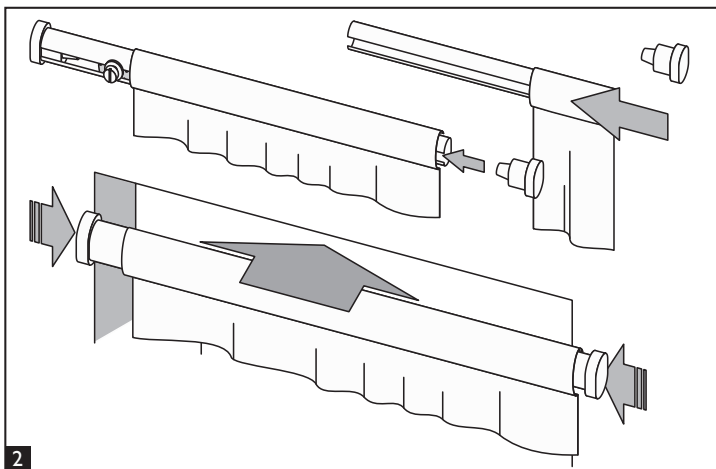
1. Loosen centre screw and extend rod.

2. Place the rod up to the window recess and extend 12mm greater than the recess.

Tighten the screw.



## Fitting a curtain onto the rod



### Safety

- Only use a step ladder or stable chair to reach fixing height.
- Do not over reach. Always move the stepladder or chair so that you are in a safe working position.
- Do not hold or lean on the track to support your weight.
- Use two people for the installation of longer tracks.
- Take care when using power tools, use of a Residual Current Device (RCD) is recommended.
- Always wear eye protection when drilling.
- Beware of hidden pipe runs and cables.



integra

Integra Products Ltd, Eastern Avenue, Lichfield, Staffordshire WS13 7SB  
• tel: +44 (0)1543 267100 • fax: +44 (0)1543 267105  
• email: [cus.care@integra-products.co.uk](mailto:cus.care@integra-products.co.uk) • web: [www.integra-products.co.uk](http://www.integra-products.co.uk)