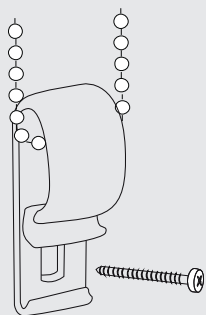
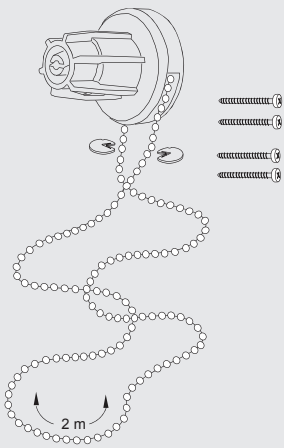
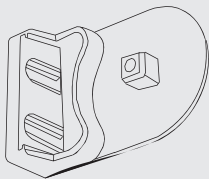
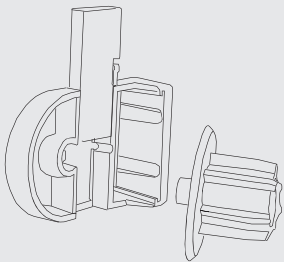
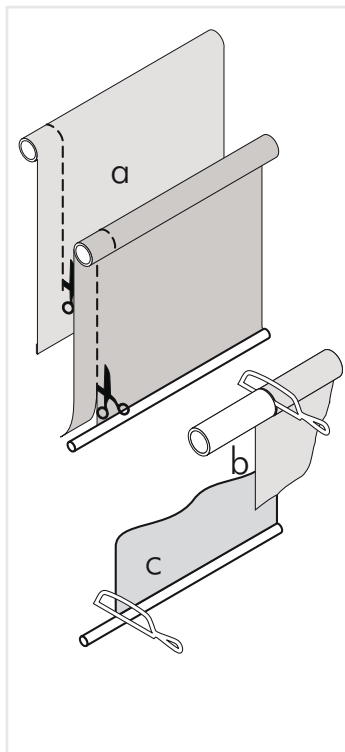
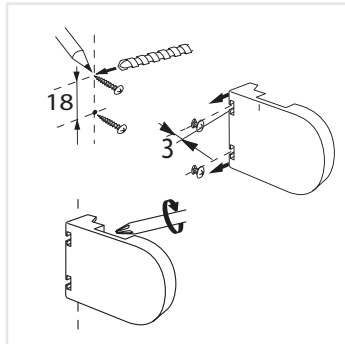
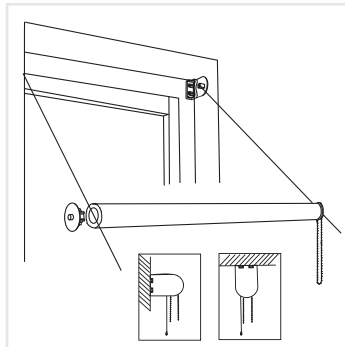


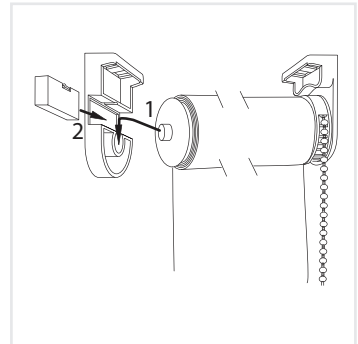
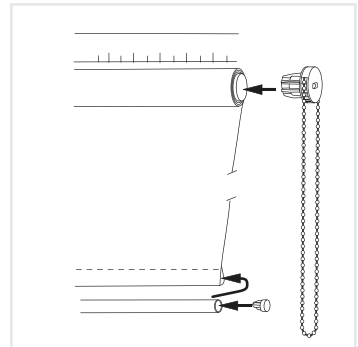
## Contents



## Instructions



 **integra**



## STRANGULATION WARNING

Young children can strangle in the loop of pull cords, chains and tapes, and cords that operate window coverings. They can also wrap cords around their necks.

To avoid strangulation and entanglement, keep cords out of the reach of young children. Move beds, cots and furniture away from window covering.

The cord tidy should be securely fitted in a position where the cords can be safely located out of the reach of children.

Once fitted into place, the cords should ALWAYS be looped around the cord tidy to prevent children becoming entangled in them.

 **integra**

**Integra Products Ltd**  
High Point, Sandy Hill Business Park,  
Sandy Way, Amington, Tamworth,  
Staffordshire, B77 4DU

tel: +44 (0)1543 267100  
fax: +44 (0)1543 267105  
email: [cus.care@integra-products.co.uk](mailto:cus.care@integra-products.co.uk)  
web: [www.integra-products.co.uk](http://www.integra-products.co.uk)